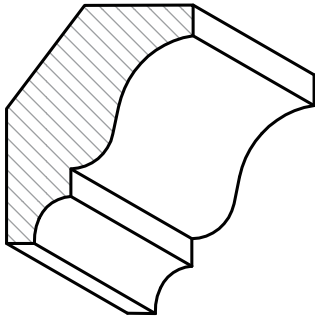
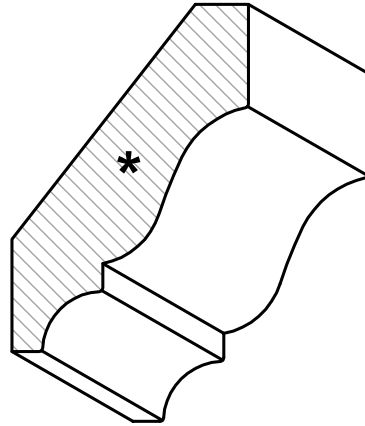


Custom profiles available upon request.

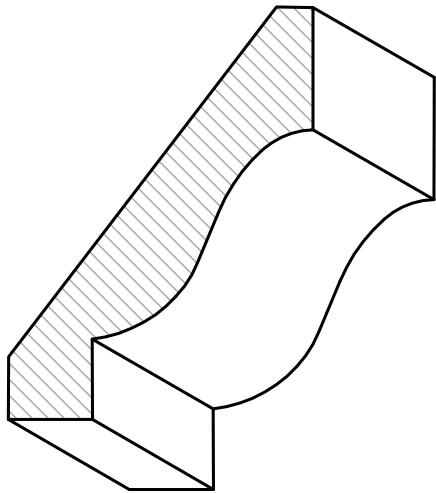


WWCR68
1.625"x.5625"

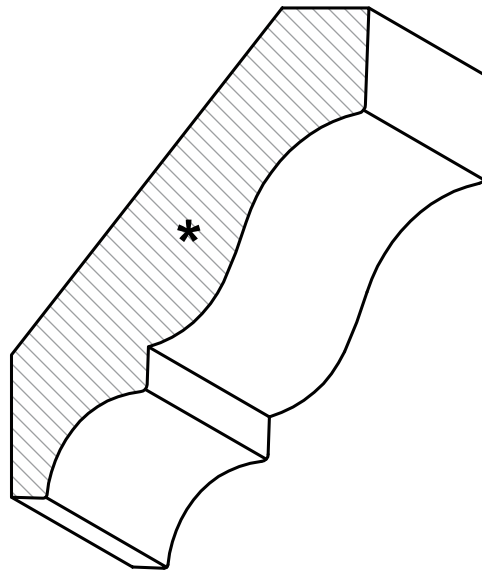


WWCR608
2.250"x.5625"

DRAWINGS ARE TO SCALE



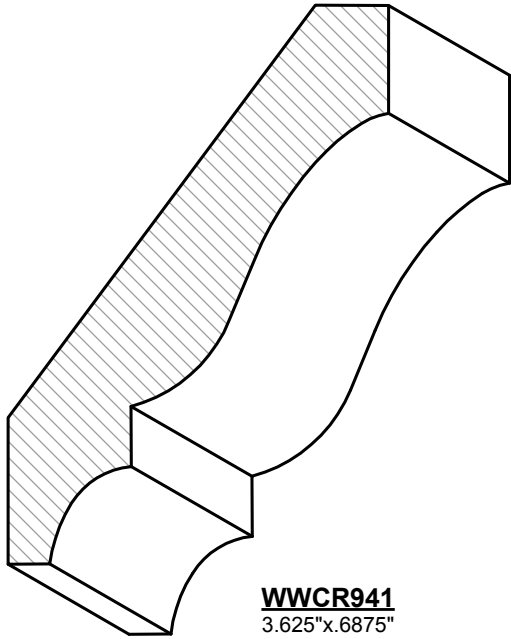
WWCR942
2.750"x.5625"



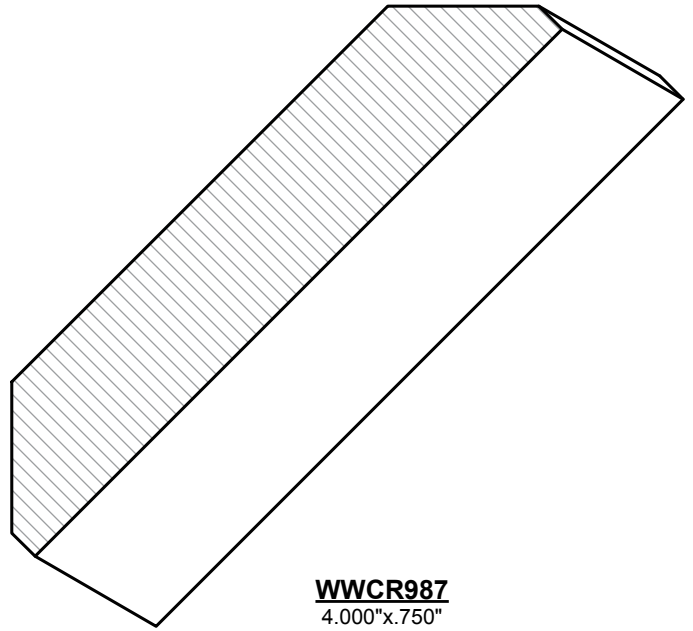
WWCR618
3.250"x.6804"

* - These profiles are exempt from the moulding minimum charge. (See Page 5)

Custom profiles available upon request.

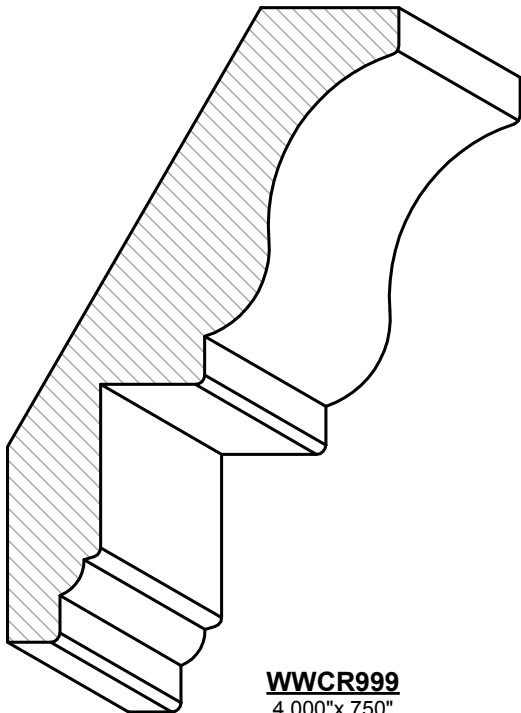


WWCR941
3.625"x.6875"

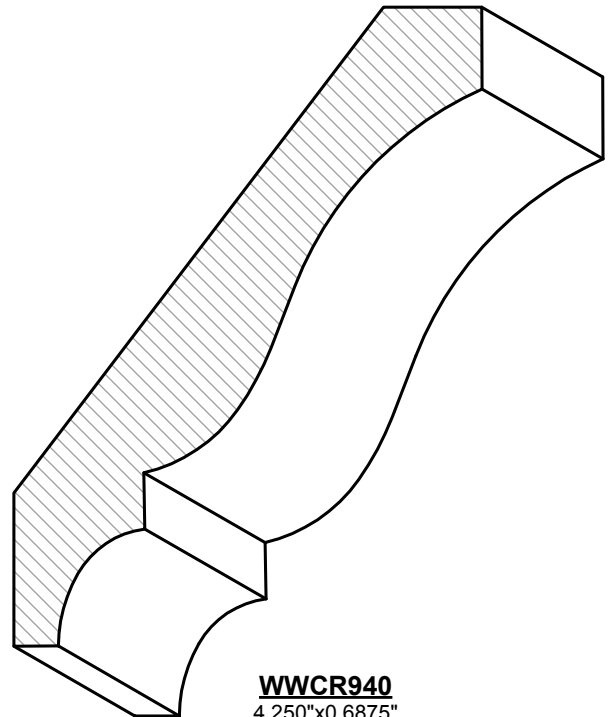


WWCR987
4.000"x.750"

DRAWINGS ARE TO SCALE

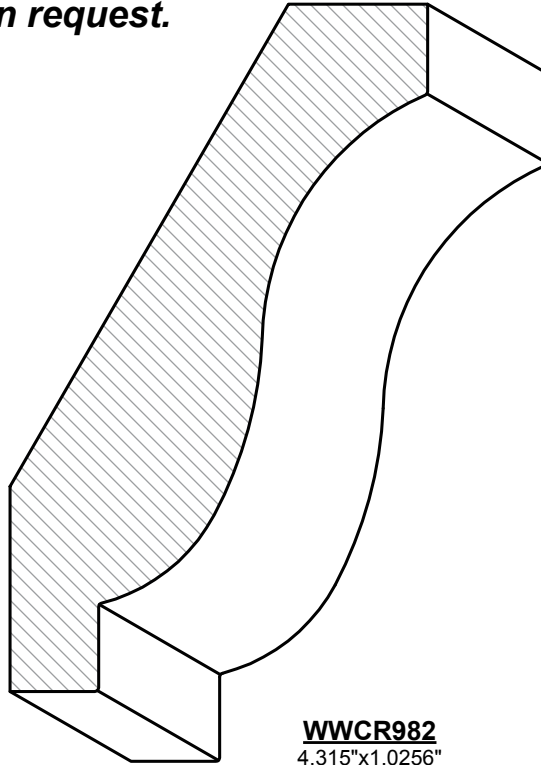


WWCR999
4.000"x.750"



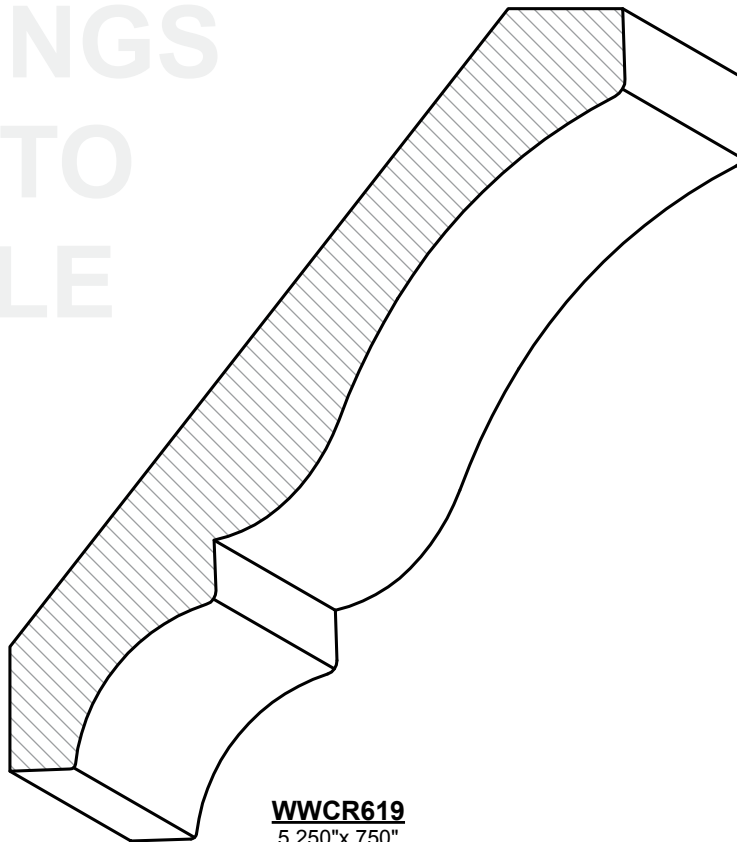
WWCR940
4.250"x0.6875"

Custom profiles available upon request.



WWCR982
4.315"x1.0256"

DRAWINGS
ARE TO
SCALE



WWCR619
5.250"x.750"